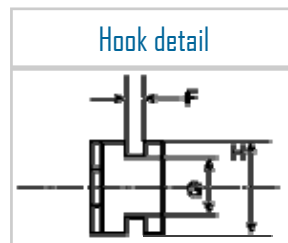
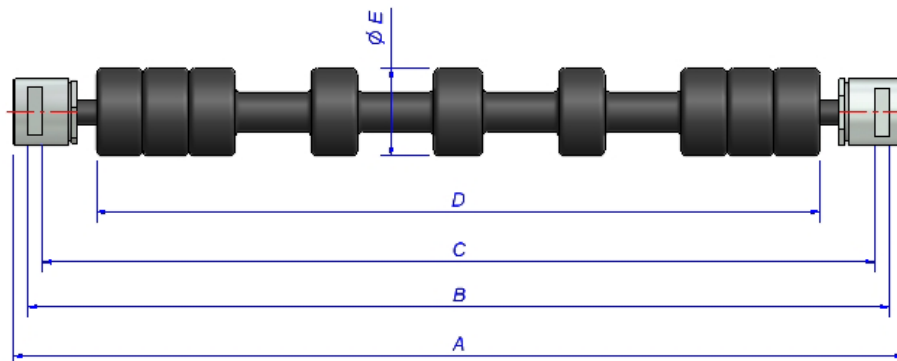


Rigid Return Idler 'INBI'



DIMENSIONS TABLE

Belt width	A	B	C	D	ØE	F	G	H	No. Discs
400/15"	559	539	515	441	76	12	40	57	6
500/20"	659	639	615	531	76	12	40	57	8
600/24"	759	739	715	631	76	12	40	57	9
650/26"	808	788	764	681	76	12	40	57	9
800/32"	959	939	915	835	76	12	40	57	10
900/32"	1.059	1.039	1.015	935	76	12	40	57	12
1000/42"	1.265	1.250	1.220	1.030	90	14	50	65	13
1200/48"	1.465	1.450	1.420	1.230	90	14	50	65	14

Notes:

- ◆ Available in black rubber antiabrasive, and white rubber (for food industry).
- ◆ Request to our Technical department the General Instructions of Assembly.
- ◆ For the information and construction of the supports, please contact to our Technical Department.



Contact to our Technical Department for any doubt or consult that you require.